

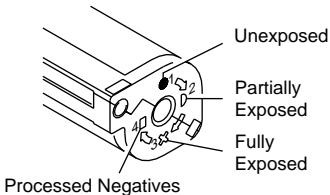
Kodak *ADVANTiX*

3100AF
Camera



Film Status Indicator (FSI)

A highlighted indicator advances from one symbol to another to identify the status of the film inside the cassette.



This device complies with part 15 of the FCC Rules. Operation is subject to the following two conditions: (1) This device may not cause harmful interference, and (2) this device must accept any interference received, including interference that may cause undesired operation.

NOTE: Your model camera has been tested and found to comply with the limits for a Class B digital device, pursuant to Part 15 of the FCC Rules. These limits provide reasonable protection against interference in residential use. The camera generates, uses and can radiate radio frequency energy and, if not used in accordance with the instructions, may cause interference to radio communications. There is no guarantee that interference will not occur. If this camera does cause interference to radio or television reception, which can be determined by turning the camera off and on, you may reduce the interference by the following:

- Reorient or relocate the receiving antenna.
- Increase the separation between the camera and the receiver.
- Consult the dealer or an experienced radio/television technician for help.

Changes or modifications not approved by the party responsible for compliance could void the user's authority to operate the equipment.

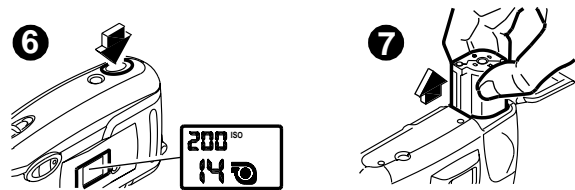
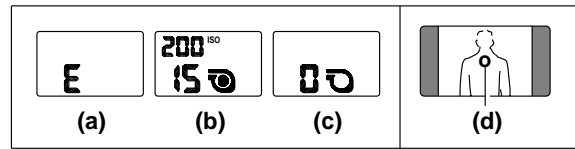
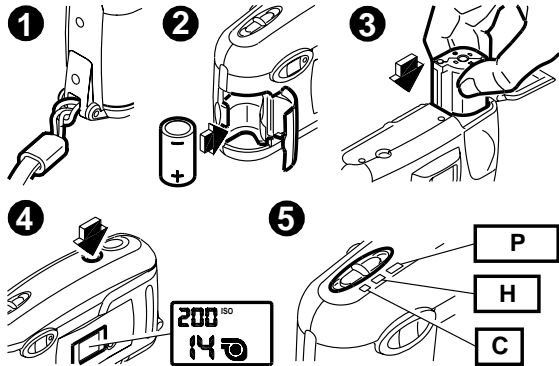
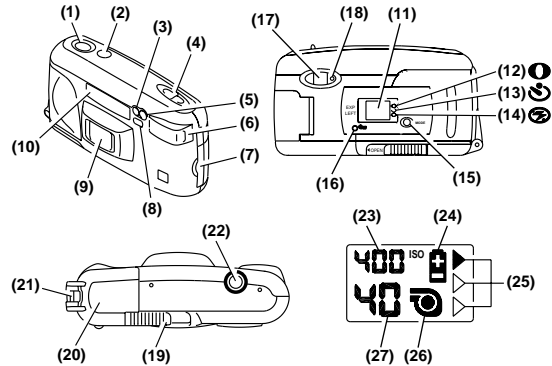
This Class B digital apparatus meets all requirements of the Canadian Interference-Causing Equipment Regulations.



Look for this logo to be certain the film you buy is made for this camera.



Look for this logo to select a certified photofinisher for developing your film and to assure that you get all the features of the Advanced Photo System.



Need help with your camera or more information about the new Advanced Photo System? Call Kodak (United States only) toll free from 8:00 a.m. to 8:00 p.m. (Eastern time) Monday through Friday at 1 (800) 242-2424. The toll free number (in Canada only) from 8:30 a.m. to 5:00 p.m. (Eastern time) Monday through Friday is 1 (800) 465-6325, ext. 36100; for Toronto area, call (416) 766-8233, ext. 36100.

For warranty purposes, please keep your sales receipt as proof of the date of purchase.

CAMERA IDENTIFICATION

See inside cover flaps of manual for camera diagrams.

- | | | |
|-------------------------------|--------------------------------------|--|
| (1) Shutter Button | (11) LCD Panel | (18) Flash-Warning/
Self-Timer Lamp |
| (2) On/Off Button | (12) Red-Eye-
Reduction
Symbol | (19) Film-Door Latch |
| (3) Self-Timer Lamp | (13) Self-Timer
Symbol | (20) Film Door |
| (4) Print-Size
Selector | (14) Off-Flash
Symbol | (21) Strap Post |
| (5) Meter-Cell
Window | (15) Mode Button | (22) Tripod Socket |
| (6) Flash | (16) Rewind Button | (23) ISO-Film-Speed
Display |
| (7) Battery Door | (17) Viewfinder
Eyepiece | (24) Battery Symbol |
| (8) Viewfinder | | (25) Mode Indicators |
| (9) Lens | | (26) Film-Presence
Indicator |
| (10) Focus-Ranging
Sensors | | (27) Frame Counter |

BATTERY

This camera uses a 3-volt **lithium** KODAK KCR 2 (or equivalent) Battery that supplies power for all camera operations. **This camera automatically turns off after 4 minutes.**

Battery Indicator

When the battery symbol **(24)** “blinks,” you will need to replace the battery soon. When the battery symbol is solid (non-blinking) and the shutter button does not operate, replace the battery immediately.

Battery Tips:

- **Keep a spare battery with you at all times. Lithium batteries perform consistently until they suddenly die.**
- Read and follow all warnings and instructions supplied by the battery manufacturer.
- Keep battery away from children.
- Do not attempt to disassemble, recharge or short circuit the battery, or subject it to high temperature or fire.
- Store battery in its original packaging prior to use.

LOADING THE FILM

For best all-around results for indoor and outdoor picture-taking, use KODAK ADVANTIX 200 Film.

1. Slide the film-door latch **(19)** and insert the film cassette completely into the film chamber **③**. **Do not force the film cassette into the film chamber.**
2. Close the film door **(20)** to start the auto-film advance. The LCD panel **(11)** will show the total number of exposures **(b)**. **After you close the safety-interlock film door, you cannot open the film door until the film is completely rewound into the film cassette.**

TAKING PICTURES


You can take Classic (C), HDTV (H), and Panoramic (P) pictures on the **same film cassette (see following table for Typical Print Sizes)**. **Your photo-processing cost will be based on the format size(s) that you use to expose the film.**


1. Press the on/off button **(2)**, **④**.
2. Move the print-size selector **(4)** to desired format **⑤**.
3. Look through the viewfinder eyepiece **(17)** and place the aiming circle **(d)** on the subject. For a sharp picture, **stand at least 2 1/2 ft (0.8 m)** from your subject.
4. Press the shutter button **(1)** to take a picture **⑥**.


Typical Print Sizes

C	H	P
Classic	Group & Wide (HDTV)	Panoramic
3 1/2 x 5" or 4 x 6" (88.9 x 127 mm or 102 x 152 mm)	3 1/2 x 6" or 4 x 7" (88.9 x 152 mm or 102 x 178 mm)	3 1/2 x 10" to 4 x 11 1/2" (88.9 x 254 mm to 102 x 292.7 mm)

Using Red-Eye Reduction, Self-Timer, and Off Flash

Red-Eye Reduction  — To minimize red eyes in flash pictures, use the red-eye-reduction feature.

Self-Time  — To include yourself in pictures, use the self-timer feature. Use a tripod (tripod socket **[22]**) or place the camera on a firm support. The self-timer lamp **(3)** will blink 10 seconds before the picture is taken. To stop the self-timer function, press the mode button **(15)** or the on/off button **(2)**.

Off-Flash  — To cancel the flash, especially indoors where flash is prohibited, such as in theaters and museums or in dim lighting situations, use the off-flash feature. Use a tripod (tripod socket **[22]**) or place the camera on a firm support and use high-speed KODAK ADVANTIX Film.

1. Press the on/off button **(2)** to turn the camera on **(4)**.
2. Press the mode button **(15)** to select red-eye reduction, self-timer, off flash, or auto-flash.
NOTE: When there is no arrow visible on the LCD panel **(11)**, you are in the auto-flash mode.
3. Press the shutter button **(1)** to take a picture **(6)**.

Tips for Better Pictures

- Hold the camera **steady** when taking pictures.
- Keep your pictures simple. Move close enough to your subject so it fills the viewfinder **but not closer than 2½ ft (0.8 m)**.
- Take pictures at the subject's level. Kneel down to take pictures of children and pets.
- Hold your camera vertically to capture tall, narrow subjects, such as a waterfall or skyscraper.
- Take vertical pictures of a single person at 5 ft (1.5 m) and beyond.
- Add interest to your picture by framing it with a tree branch, window, or even the rails of a fence.
- Keep the sun behind you for best subject illumination.

TAKING FLASH PICTURES

In dim light, such as indoors or outdoors in heavy shade or on dark overcast days, you need flash. Your camera has a built-in flash which automatically fires when needed. If the flash-warning/self-timer lamp **(18)** “blinks,” the flash is not fully charged. Wait for the light to turn off before you take a picture.

Flash-to-Subject Distance

ISO Film Speed	Flash-to-Subject Distance
100	2 ¹ / ₂ to 10 ft (0.8 to 3 m)
200	2 ¹ / ₂ to 14 ft (0.8 to 4.3 m)
400	2 ¹ / ₂ to 20 ft (0.8 to 6 m)

Flash Tips

- Turn on room lights and have the subject face the lights to minimize red eyes in pictures.
- Stand at an angle to shiny surfaces like windows or mirrors to avoid flash reflection and bright spots in your pictures.
- Keep your fingers and other objects away from the picture-taking lens, flash, and meter-cell window to avoid dark or light pictures.

UNLOADING THE FILM

After you take the last picture on the film cassette, the film automatically starts to rewind. When the film is fully rewound, the LCD panel **(11)** displays “0” and an empty cassette symbol **(c)**. When you remove the cassette from the camera, the LCD panel displays “E,” **(a)**.

Using the Rewind Button

If you don't want to take pictures on the entire film cassette, you can automatically rewind the film by pressing the rewind button **(16)**. **Once you've used this feature, you cannot reload the same film cassette into the camera.**

TROUBLESHOOTING

What happened	Probable cause	Solution
Camera will not operate	There are no more pictures remaining	Remove the film
	Battery weak, dead, missing, or improperly inserted	Replace or reload the battery
Film does not advance or rewind	Battery weak, dead, missing, or improperly inserted	Replace or reload the battery
LCD panel is blank	(see Probable cause above)	(see Solution above)

What happened	Probable cause	Solution
Film cassette does not fit completely into film chamber; film door does not close	Loaded exposed, partially exposed, or processed film into the camera	Load only unexposed film into the camera
All LCD indicators "blink"	Camera mechanism problem	Press shutter button, turn the camera off and on, or replace or reload battery

SPECIFICATIONS

Film Type: KODAK ADVANTIX Film for color prints

Lens: 25 mm, *f*/4.6 KODAK EKTANAR Lens

Focus System: 2 zones, active autofocus with zone crossover at 5 ft (1.5 m)

Viewfinder: Real image with C, H, and P format display

Film-Speed Range: DXIX (ISO) 100, 200, 400 & 800 for color print films

Flash Unit: KODAK SENSALITE™ Flash

Focus Range: Daylight: 2 1/2 ft. (0.8 m) to infinity

Apertures: *f*/4.6, *f*/8.8

Shutter: Programmed electronic; speeds 1/100 and 1/160 sec.

Power Source: one 3-volt lithium KODAK KCR 2 (or equivalent) Battery; auto power off after 4 minutes

Dimensions: Approx. 1.5 x 2.5 x 4.7 in (38 x 63 x 119 mm)

Weight: Approx. 7 oz (195 g) with battery and film

Kodak, Sensalite, Ektanar, Advantix, and the Advanced Photo System symbol and logotype are trademarks.



Consumer Imaging
EASTMAN KODAK COMPANY
Rochester, NY 14650

Pt. No. **916 3494**
22

1-97
Printed in U.S.A.